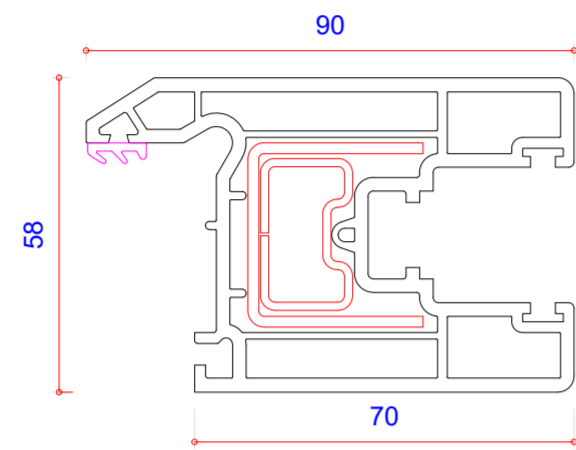
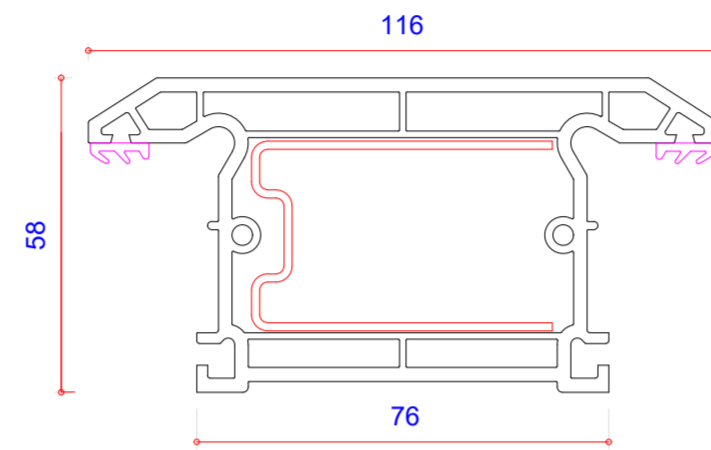


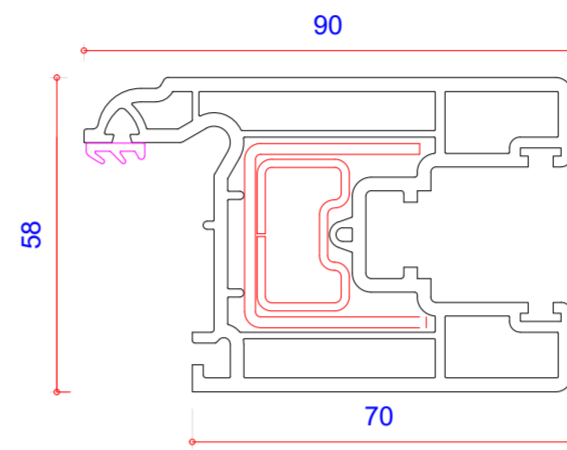
**105178**  
58mm Outer Frame  
Steel U Channel 113018  
Steel Box 713104



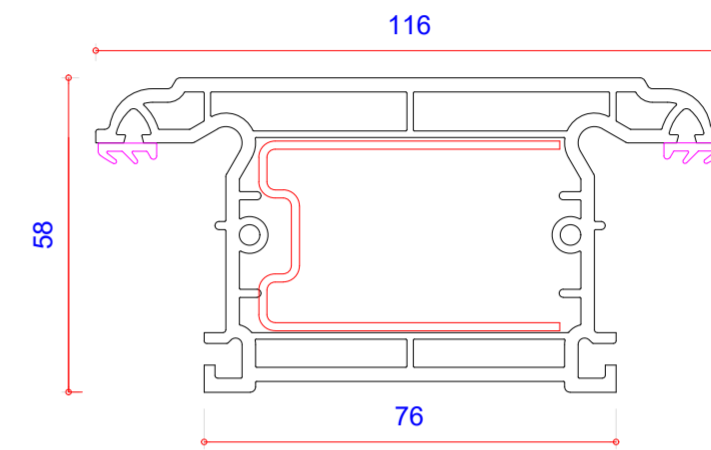
**705151**  
Patio Sash  
Steel Channel 713029  
\*Steel Channel (Prep'd) 713804  
Steel Box (400mm) 713119  
Steel Box (4000mm) 713124



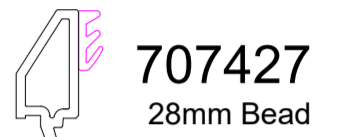
**702152**  
Patio Midrail  
Steel Channel 713166



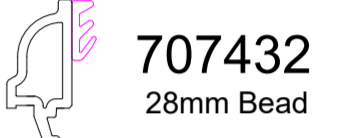
**703251**  
Patio Sash  
Steel Channel 713029  
\*Steel Channel (Prep'd) 713804  
Steel Box(400mm) 713119  
Steel Box (4000mm) 713124



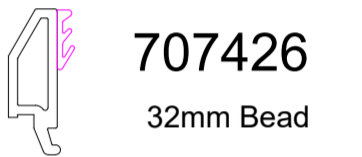
**705252**  
Patio Midrail  
Steel Channel 713166



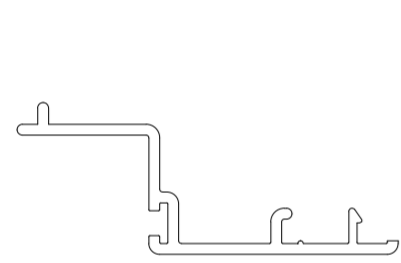
**707427**  
28mm Bead



**707432**  
28mm Bead



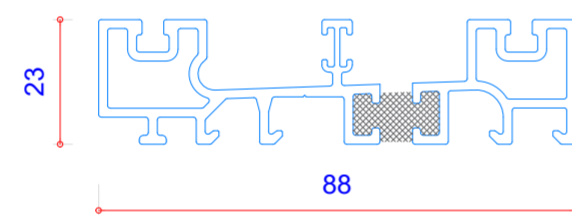
**707426**  
32mm Bead



**705152**  
Outer Frame Cover



**709112**  
Sash Cover



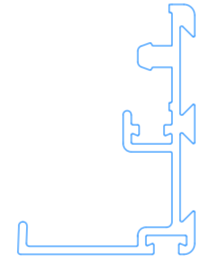
**104324**  
Patio Low Threshold  
(Silver or Gold)



**713070**  
Patio Track Steel



**704361**  
Threshold Cover  
(Silver or Gold)



**704180**  
Threshold  
(White or Black)



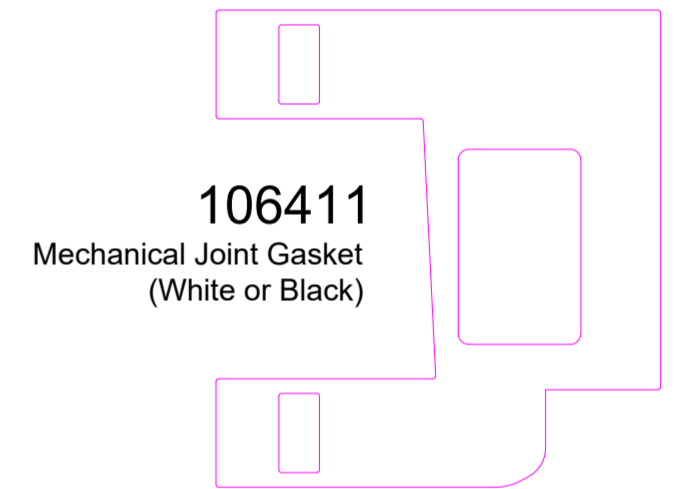
**704181**  
Interlock



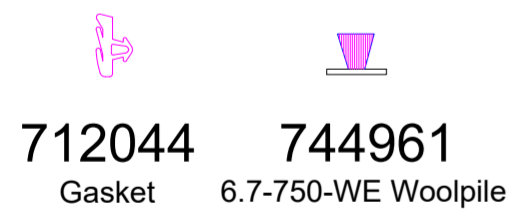
**704208**  
Interlock  
(White or Black)



**715134**  
Multi Pane Adaptor  
(White or Black)



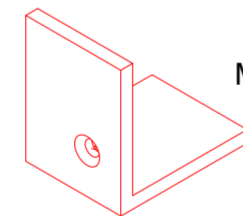
**106411**  
Mechanical Joint Gasket  
(White or Black)



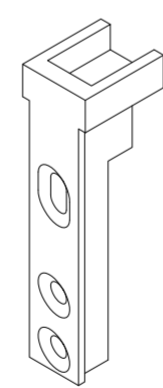
**712044** Gasket  
**744961** 6.7-750-WE Woolpile



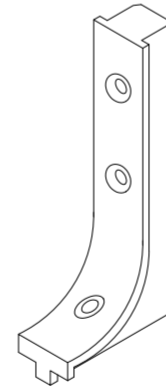
**112380**  
Bead Groove Infill  
(Black/White)



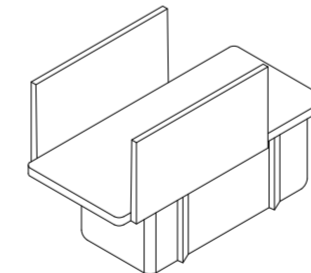
**141405**  
Mechanical Joint  
Bracket



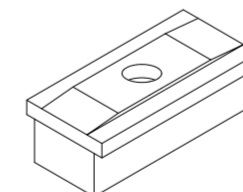
**709818**  
Anti Lift Device (White)



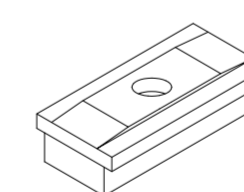
**709819**  
Fixed Pane Bracket (Black)



**709801**  
Multi Pane End Cap  
(White or Black)



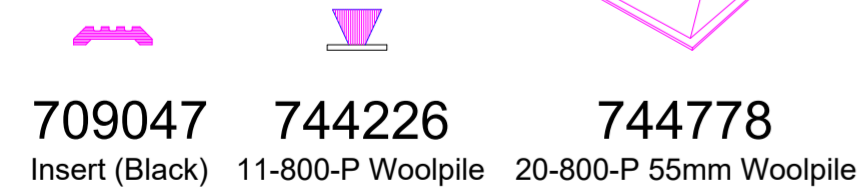
**709081**  
Base Packer (Black)



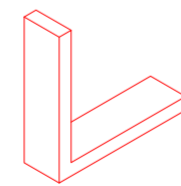
**709082**  
Jamb Packer (White)



**115112**  
Mechanical Joint  
Reinforcement



**709047** Insert (Black)  
**744226** 11-800-P Woolpile  
**744778** 20-800-P 55mm Woolpile



**141406**  
Mechanical Joint  
Internal Bracket

KEY:



Clarification on steel orientation can be obtained via WinDoPlan. DO NOT SCALE. The drawings shown are visual representations only. VEKA PLC has the right to alter the designs, specification & descriptions without prior notice as part of our policy of continuous development and improvements.

